
KIT INSTRUCTIONS

VoIP Intercom Kit Instructions

Product Use Statement

Product Use: Many factors beyond 3M's control and uniquely within user's knowledge and control can affect the use and performance of a 3M product in a particular application. Given the variety of factors that can affect the use and performance of a 3M product, user is solely responsible for evaluating the 3M product and determining whether it is fit for a particular purpose and suitable for user's method of application.

Warranty, Limited Remedy, and Disclaimer: Unless a different warranty is specifically stated on the applicable 3M product packaging or product literature, terms of sale or software license agreement, 3M warrants that the 3M product will be free from substantial defects in material and workmanship under normal use and service, wear and tear excepted, for two (2) years from the original date of purchase, and (ii) for software products, for ninety (90) days from the original date of purchase, the software will materially perform the functions described in the accompanying documentation. 3M MAKES NO OTHER WARRANTIES OR CONDITIONS, EXPRESS OR IMPLIED, INCLUDING, BUT NOT LIMITED TO, ANY IMPLIED WARRANTY OR CONDITION OF MERCHANTABILITY OR FITNESS FOR A PARTICULAR PURPOSE OR ANY IMPLIED WARRANTY OR CONDITION ARISING OUT OF A COURSE OF DEALING, CUSTOM OR USAGE OF TRADE. If the 3M product does not conform to this warranty, then the sole and exclusive remedy is, at 3M's option, to replace or repair any defective part or parts.

Limitation of Liability: Except where prohibited by law, 3M will not be liable for any loss or damage arising from the 3M product, whether direct, indirect, special, incidental or consequential, regardless of the legal theory asserted, including warranty, contract, negligence or strict liability.

VoIP Intercom Kit Overview

The VoIP Intercom Kit is designed to work with the Commend VoIP intercom board, although it can be adapted to work with most any VoIP intercom board. The following items are factory-installed before the device ships to the customer site:

- speaker
- pushbutton
- microphone
- cabling

The following actions must be completed at the customer site:

- Configure the selected VoIP intercom board according to the manufacturer's instructions
- Mount the selected VoIP intercom board to the mounting plate
- Secure the mounting plate to the device
- Connect the microphone and speaker cables to the selected intercom board

This document describes how to install the intercom board assembly mounting plate to the device, as well as microphone and speaker wiring instructions. This document includes installation instructions for the following devices: Pay Station, Lane Pay Station, Ticket Dispenser/Exit Verifier, and Reader Controller. Table 1.1 identifies the kit part number for each device.

Note: This document may reference legacy part numbers and product names. Please refer to the *3M Parking Price Book* for current product names or contact your customer service representative with questions.



Before performing any equipment maintenance or repair, set the equipment power to OFF, set the main circuit breaker to OFF, and lockout and tag the main circuit breaker; failure to follow this warning can result in injury or death to personnel and damage to equipment.

Note: Damage to equipment that occurs as a result of performing maintenance or repairs while power is ON is not covered by the warranty.

Note: Before performing any equipment maintenance or repair, refer to the equipment operation and maintenance manuals.

Table 1.1 Kit Part Numbers

Part Number	Kit Name
78-0060-3627-7	VoIP Intercom Prep Kit, U1
78-0060-3513-9	VoIP Intercom Prep Kit, APS
75-0302-0931-8	VoIP Intercom Prep Kit, PIL/PP360

Kit Contents

The VoIP Intercom Kit includes:

- (1) Pushbutton with 2v LED — factory-installed
- (1) Speaker, 8 ohm — factory-installed
- (1) Speaker/Pushbutton cable — factory-installed
- (1) Microphone holder, rubber — factory installed
- (1) Microphone, with 24" shielded cable — factory-installed
- (1) Intercom board assembly mounting plate
- (4) M3 x 0.5 x 6mm flat head screws
- (1) Adhesive backed, dual lock, re-closable fastener
- (1) Non-PoE (power over Ethernet) power supply cable (optional use, if needed)

Tools

You will need the following tools to complete this process:

- Phillips screw driver

Securing the Intercom Board to the Mounting Plate

This kit is specifically designed to work with the Commend VoIP intercom board; however, you can adapt the mounting plate to work with most any intercom board.

To secure the intercom board to the mounting plate:

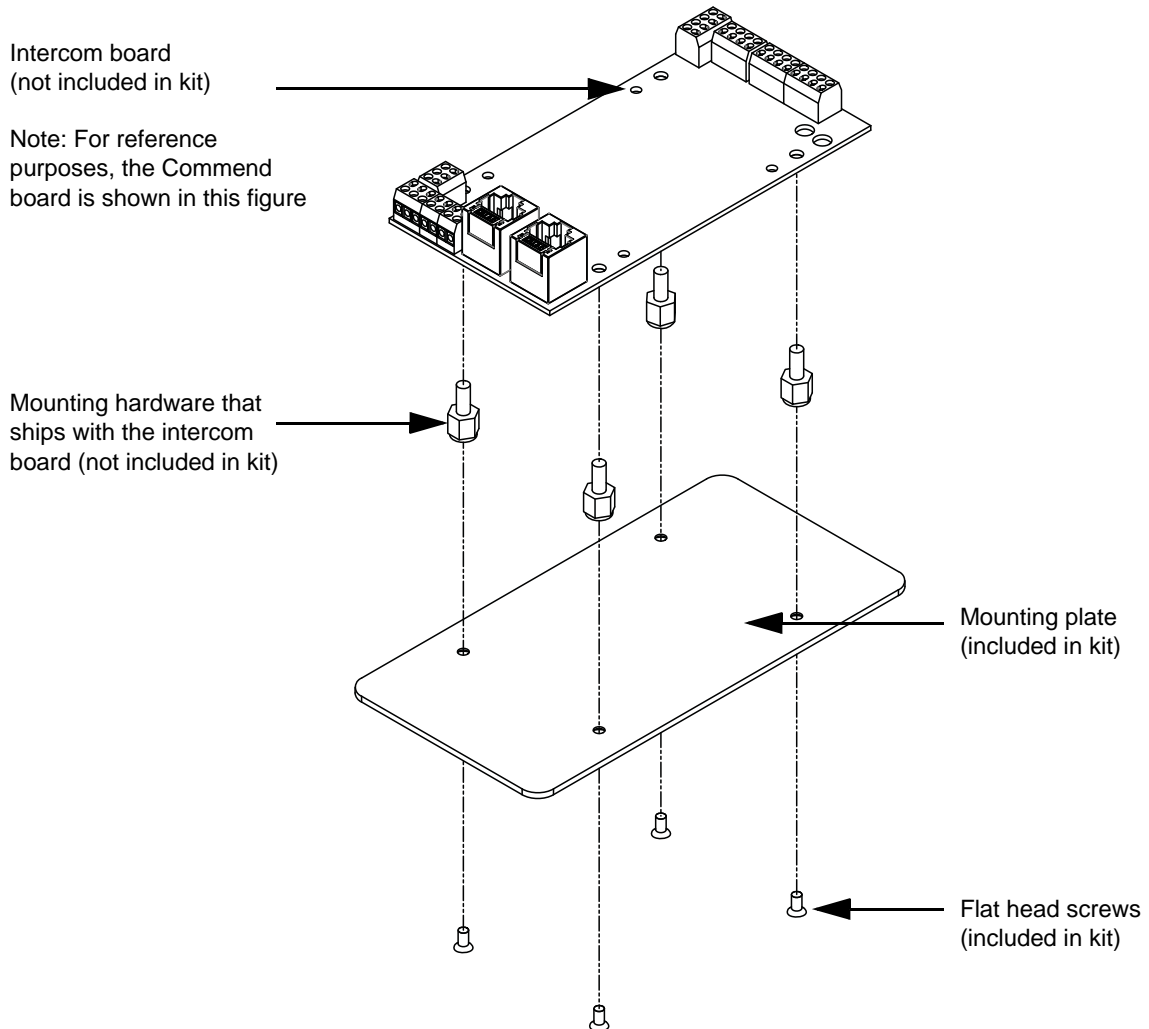
Refer to Figure 1.1 on page 5.

1. Secure the mounting hardware to the intercom board. The mounting hardware ships with the selected intercom board and is not part of the VoIP Intercom Kit.
2. Use the flat head (M3) screws that ship with the kit to secure the intercom board to the mounting plate.

NOTICE

If the pre-drilled holes do not align with your selected VoIP intercom board, you will need to modify the mounting plate to fit your board.

Figure 1.1 Secure Intercom Board to Plate



Securing the Mounting Plate to the Device

Use the following instructions to secure the mounting plate to the device.

To secure the mounting plate:

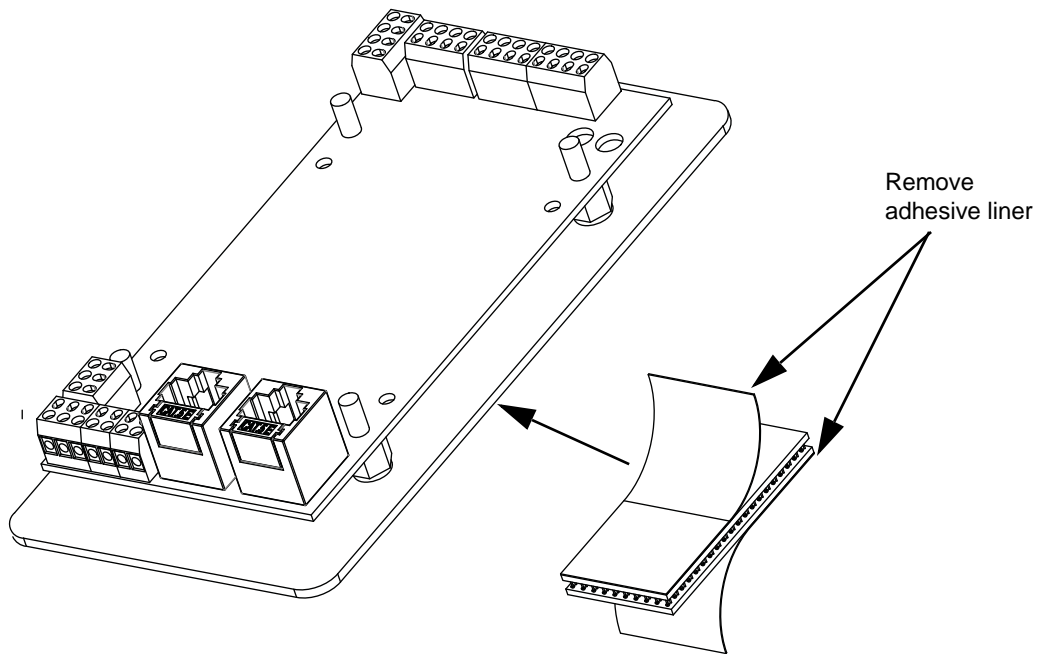
1. Disconnect the device from the power source.
2. Open the device door or remove device cover.

For the next 3 steps, refer to Figure 1.2 on page 6.

3. Remove the adhesive liner from one side of the fastener.

4. Firmly press the sticky side of the adhesive fastener to the middle of the back side of the intercom board assembly.
5. Remove the remaining adhesive liner from the fastener.

Figure 1.2 Apply Adhesive



6. Firmly press the board to the specified location on the device. Location will vary by device. For the:
 - Ticket Dispenser/Exit Verifier — refer to Figure 1.3 on page 7
 - Reader Controller — refer to Figure 1.4 on page 8
 - Pay Station — refer to Figure 1.5 on page 9
 - Lane Pay Station — refer to Figure 1.6 on page 10

Figure 1.3 Ticket Dispenser/Exit Verifier Placement Location

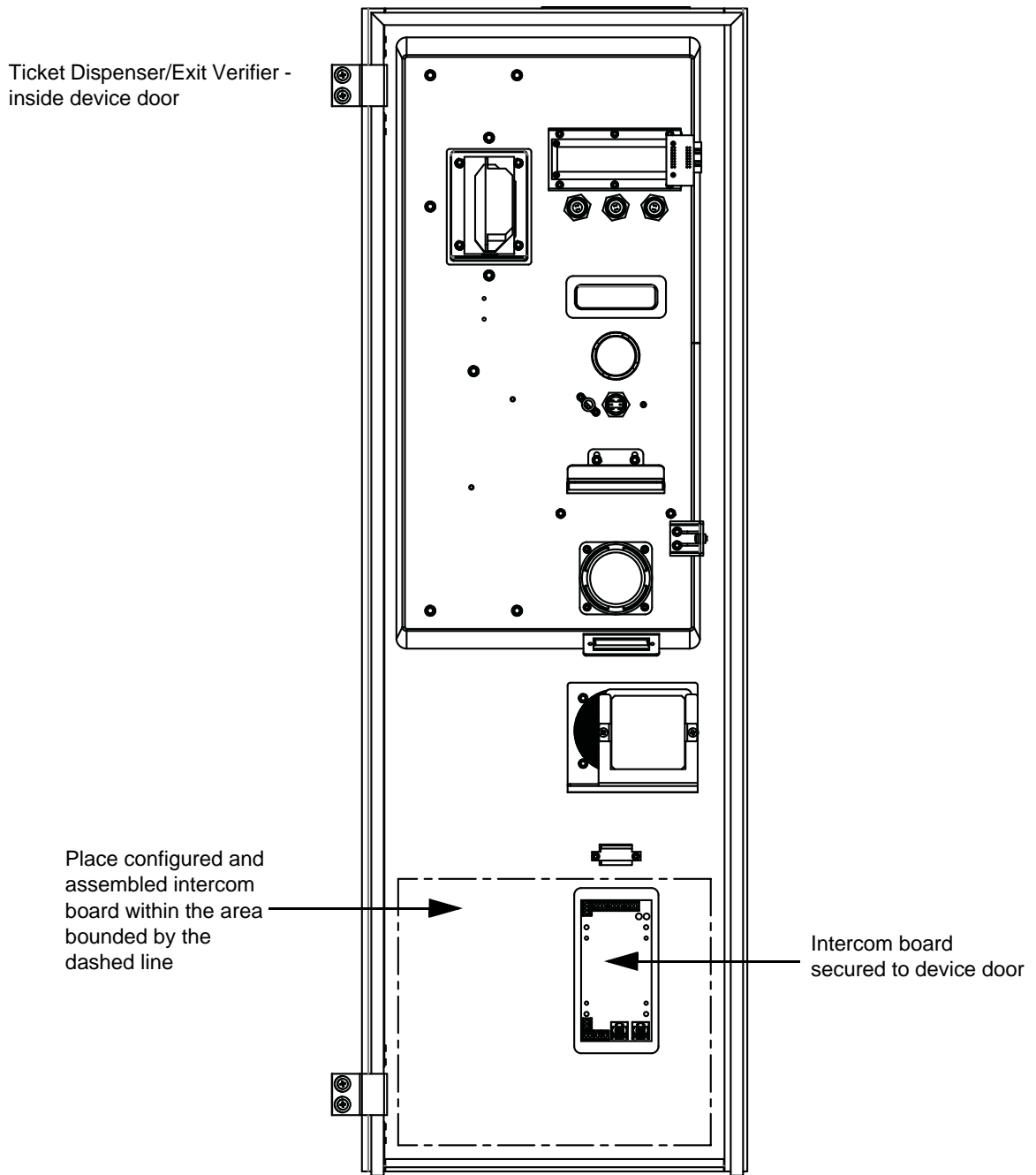


Figure 1.4 Reader Controller Placement Location

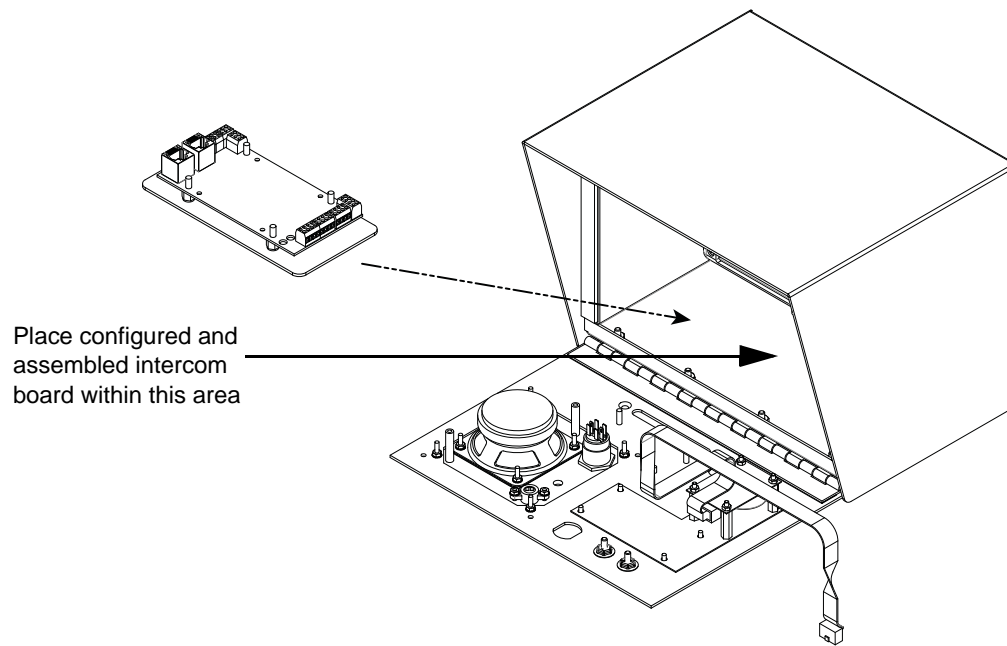


Figure 1.5 Pay Station Placement Location

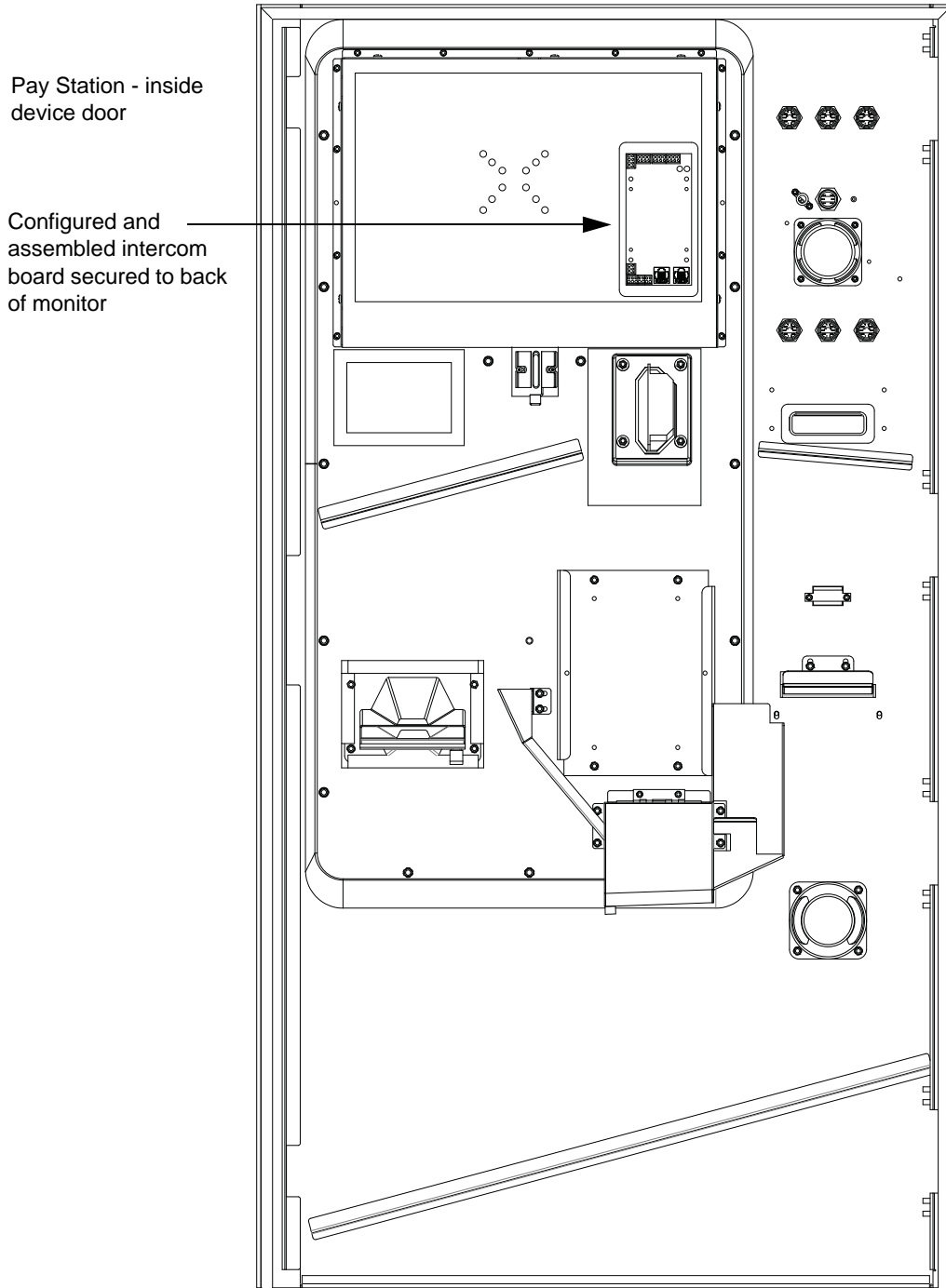
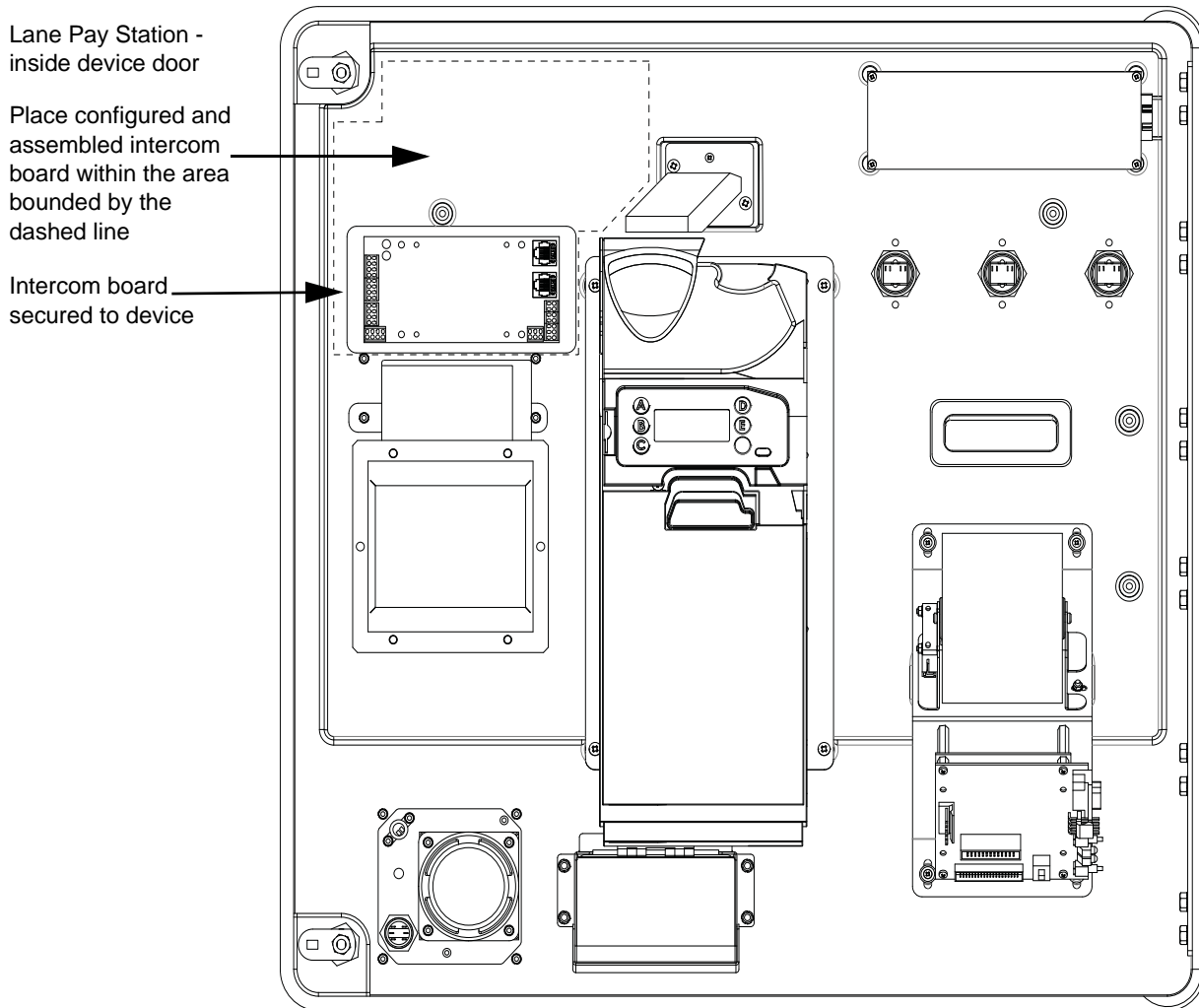


Figure 1.6 Lane Pay Station Placement Location



Connecting the Cables to the Intercom Board

The following instructions identify how to connect the microphone and speaker cables to the Commend Intercom board; however, the wiring information will be useful when connecting the cabling to any intercom board.

To connect the cables to the intercom board:

Refer to Figure 1.7, on page 11 and Figure 1.8, on page 12.

1. Connect the 24" shielded microphone cable to the microphone input on the intercom board. Refer to the selected intercom board's documentation for location.

2. Connect the speaker/pushbutton cable to the appropriate speaker, pushbutton, and LED inputs on the intercom board. Refer to the selected intercom board's documentation for location.
3. Connect the intercom board power supply, if not PoE (powered over Ethernet). (Use the non-PoE power supply cable, supplied with the kit.)
4. Connect the device to the power source.

Figure 1.7 Pushbutton/Speaker Wiring Diagrams

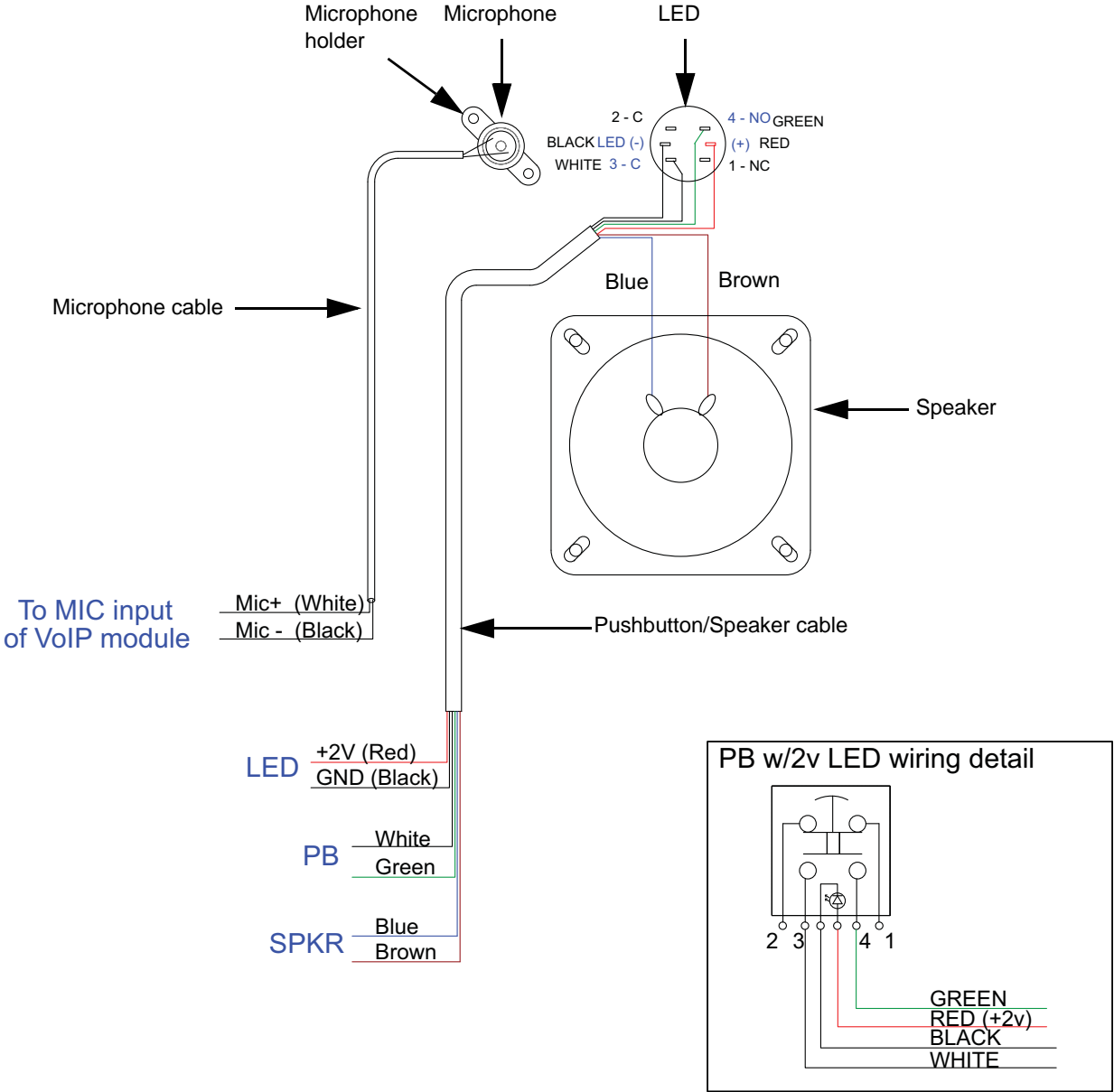
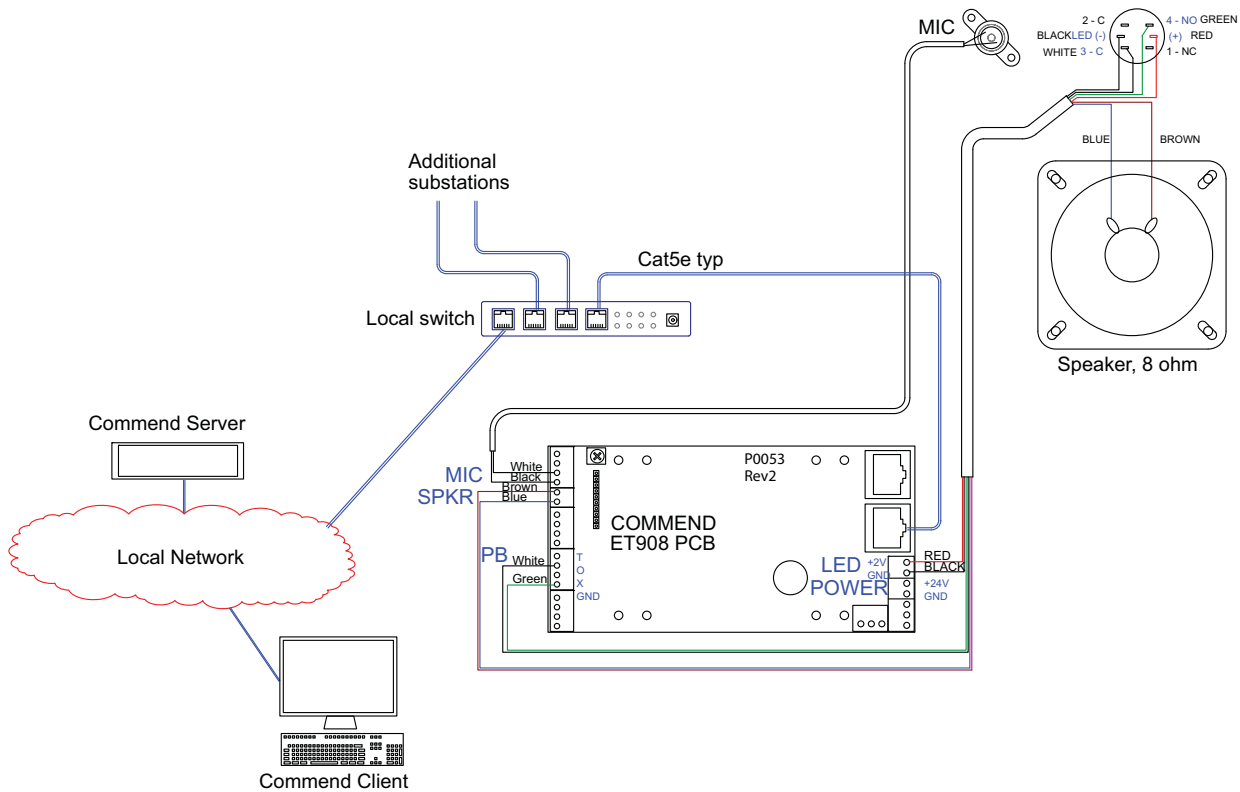


Figure 1.8 Commend 908 Substation Wiring



Installing a Digital Acoustics Module

The VoIP intercom kit can also be adapted to support the Digital Acoustics® IP7 intercom module.

To install a Digital Acoustic module:

1. Modify the mounting plate to secure the Digital Acoustics module to the plate; or, mount the module directly on the device.
2. Connect the VoIP cables to the module. Refer to the manufacturer’s instructions and Figure 1.7, on page 11.